

Steve Sisolak  
*Governor*



Richard Whitley  
*Director*

State of Nevada  
Department of Health and  
Human Services

---

Sequential Intercept Model: Intersection  
Between Criminal Justice and Behavioral Health

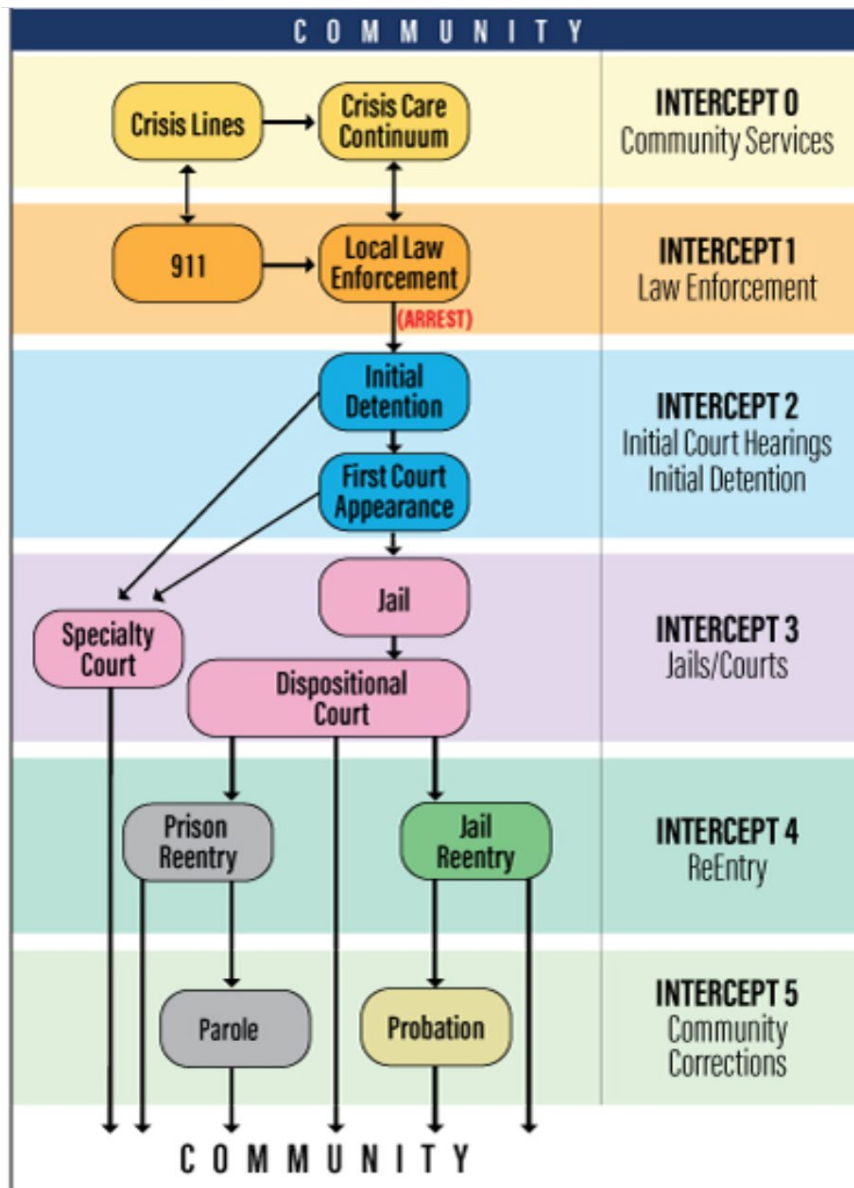
Stephanie Woodard, Psy.D.  
DHHS Senior Advisor on Behavioral Health



8/2/22

*Helping people. It's who we are and what we do.*

# Sequential Intercept Model



# Intercepts as Opportunities

## Reduces:

- Substance use
- Unnecessary incarceration
- Recidivism
- Risk to public safety
- Costs of incarceration
- Racial disparities
- Overdoses
- Suicide
- Poor treatment outcomes
- Burden on public safety/judicial system to address behavioral health needs



# Assembly Bill 236

As a result of AB 236 of the 80<sup>th</sup> Legislative Session, significant changes were made to the eligibility of, and programs available to, those in the criminal justice system with serious mental illness or a substance use disorder. The bill changed the way that behavioral health services are utilized, not only for those who are incarcerated, but also for the purpose of jail diversion.



# Risk, Need, Responsivity Model

- **Risk**

Matching the likelihood that the individual might reoffend to the appropriate level of service.

- **Need**

Assessment of the individual's criminogenic needs and identify treatment based on those needs.

- **Responsivity**

Adapting treatment and intervention to the needs, motivations, and learning style of the offender.

Treatment matching is an essential component — Nevada Risk Assessment System (NRAS) can be used for treatment matching and determining level of supervision whether incarcerated or in the community.



# Intercept 0 - Community Services

**Deflection:** Optimizes community crisis services. Law enforcement can assist with a “warm hand-off” to local crisis care services. Goal is to connect people with treatment or services instead of arresting or charging them with a crime.

## Examples of deflection services in Nevada:

- Crisis Call Centers: 988 and 911
- Crisis Continuum of Care
- Crisis Response Teams (CRT)
- Mobile Crisis Teams/Mobile Outreach Safety Teams
- Crisis Intervention Training for Law Enforcement
- Overdose Education and Naloxone Leave Behind Programs
- Homeless Outreach Teams
- Behavioral Health Field Response Grant Program (AB 236)





# Nevada's Vision and Mission for Crisis Response

## **Vision**

The Crisis Response System and 988 will serve as the foundation of Nevada's behavioral health safety net. We will reduce behavioral health crises, strive to attain zero suicides in our state, and provide a pathway to recovery and well-being.

## **Mission**

Everyone in Nevada will have immediate access to effective and culturally informed behavioral health services, crisis services, and suicide prevention through 988 and the Crisis Response System.



# Coordinated Crisis Continuum: National Guidelines



Crisis Center (someone to talk to — **988**)



Crisis Mobile Team Response (someone to respond)



Crisis Receiving and Stabilization Services  
(somewhere to go)



Essential Crisis Principles and Practices (best practices)





# The 988 Crisis Line is going live July 16, 2022

- 988 is a direct three-digit line to connect to trained counselors who will open the door for millions of Americans to seek the help they need.
- An easy-to-remember and easy-to-dial number will make it easier to reach people in emotional crisis.

## After July 16, 2022

**CALL 911**

**If you need fire,  
police, or an  
ambulance**



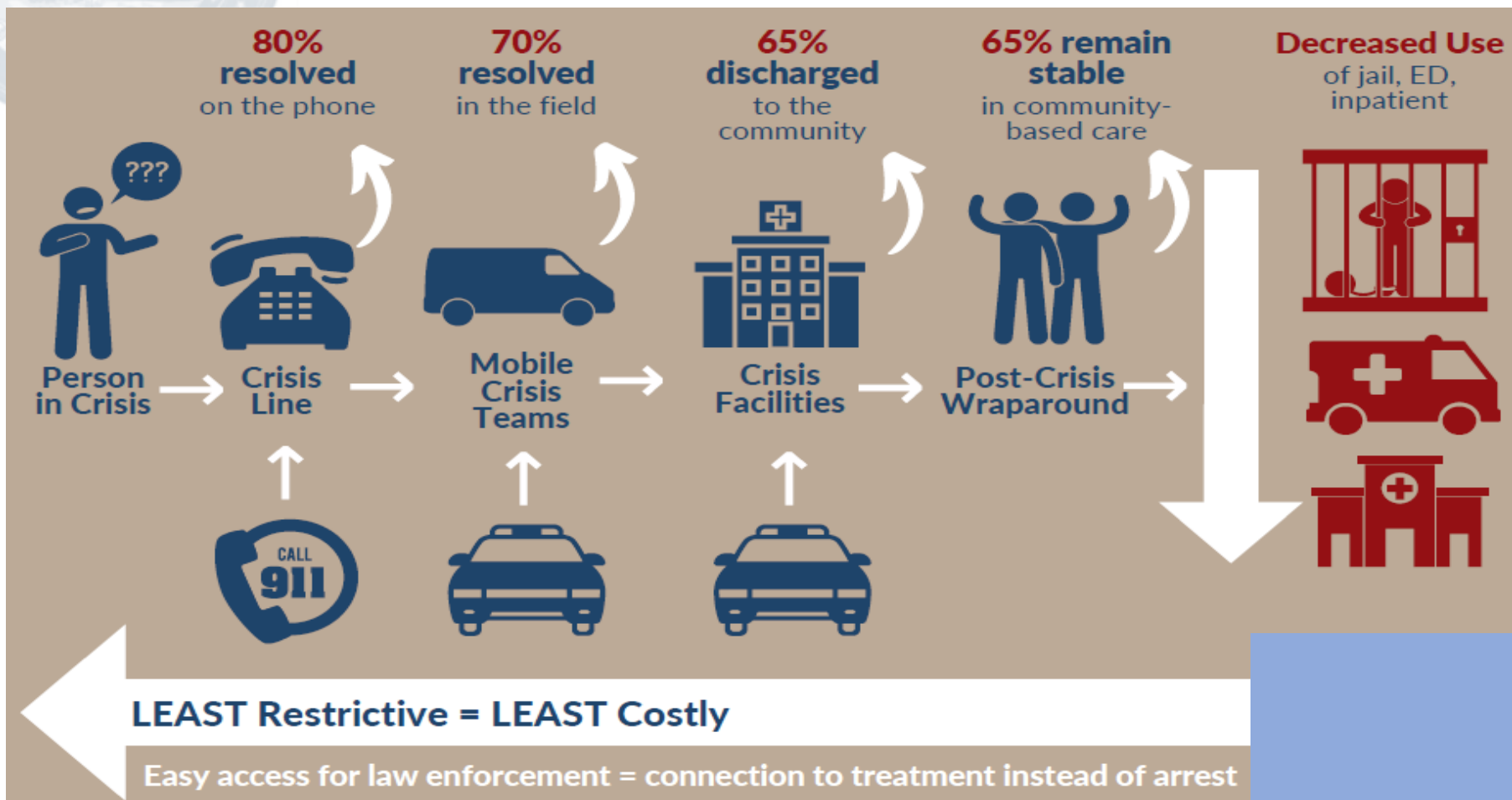
**Call 988**

**if experiencing a  
behavioral health  
crisis or suicidality**

*The 988 line should not be used prior to July 16 as it is not currently staffed*



# 988 is the Foundation for Crisis Care





# Crisis Response Partnerships

Approximately 10-15% of 911 calls nationally are estimated to be crisis- or mental health-related.

988 is not intended to serve as a public safety resource. Rather, it is intended to divert non-medical, suicide- or mental health-related calls out of the 911 system (which is intended for fire, police, and emergency calls) to behavioral health professionals.



# Deflection Programs in AB 236

- Law Enforcement Officer Training (AB 236, 2019)
- Reinvestment of Costs Averted by AB 236
- Prioritize recommendations for funding the Behavioral Health Field Response Grant Program when averted costs are identified (AB 236, 2019)

# Intercept 1 - Diversion

## Pre-Arrest/Pre-Booking

**Diversion:** Performed by law enforcement and other emergency service providers who respond to people with mental and substance use disorders. Allows people to be diverted to treatment instead of being arrested or booked into jail.

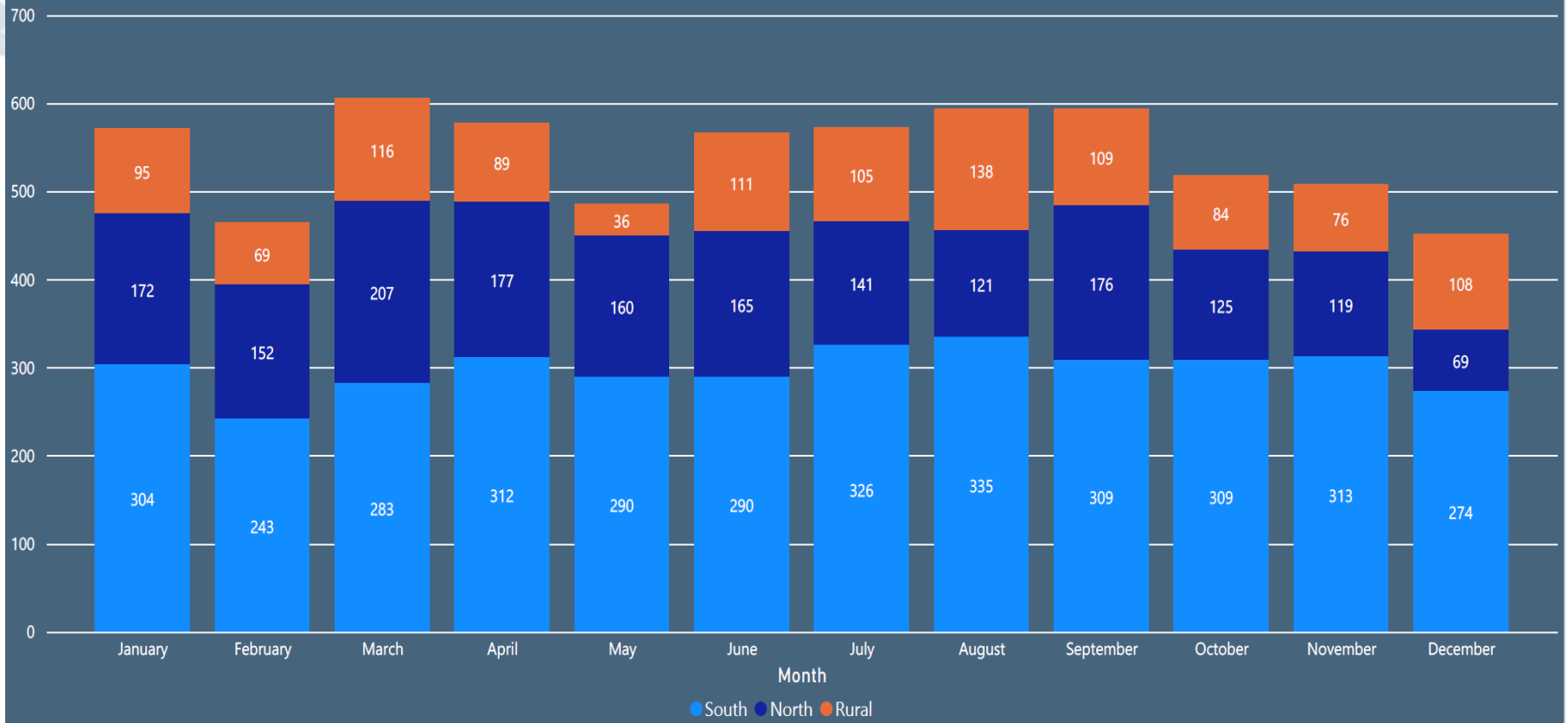
### **Examples of Diversion Programs in Nevada:**

- Law Enforcement Intervention for Mental Health and Addiction (LIMA)
- Mobile Crisis Teams
- Mobile Outreach Safety Teams (MOST)/Co-responder Models
- Crisis Response Teams (CRT)
- Civil Protective Custody/Protective Custody
- Crisis Stabilization Centers
- Crisis Triage Centers
- Behavioral Health Field Response Grant Program (AB 236)



# Mobile Outreach Safety Teams

Mobile Outreach Safety Team (MOST) - Clients Served



**Note:** Southern MOST program ceased operation in July 2017. As of July 1, 2017 sub-granted to a different organization.

**\*Data for 2021**



# Law Enforcement Intervention for Mental Health and Addiction (LIMA)

LIMA is a partnership between Clark County 8<sup>th</sup> Judicial District and Las Vegas Metropolitan Police Department funded by the Division of Public and Behavioral Health, Bureau of Behavioral Health Wellness and Prevention.

Participants are referred to services based on their needs including:

- Withdrawal Management/Detoxification services\*
- Treatment services (all levels of care including co-occurring service)\*
- Collaborative case management
- Weekly/bi-weekly meetings with case manager
- Connect client to temporary/transitional housing and permanent housing\*
- Assistance with securing vital documents
- Assistance to establish positive support system

\*Programs certified by federal Substance Abuse Prevention and Treatment Agency (SAPTA)



# Intercept 2 - Initial Detention/Court Hearings

Diverts individuals into community-based services after booking. Depends heavily on evidence-based screening and assessment tools to determine risk, needs, and responsivity variables.

## **Examples of Detention Programs in Nevada:**

- Forensic Assessment Services Triage Teams (FASTT)
- Pre-trial Community Supervision Programs
- Pre-sentencing Investigation Reports



# Forensic Assessment Services Triage Teams (FASTT)

FASTT programs in Douglas, Lyon, Churchill, and Carson City are partnerships between local jails and community providers funded by the Division of Public and Behavioral Health, Bureau of Behavioral Health Wellness and Prevention.

**Participants are referred to services based on their needs including:**

- Substance use disorder treatment\*
- Mental health treatment
- Collaborative case management
- Connect client to temporary/transitional housing and permanent housing\*

\*SAPTA-certified programs





# Intercept 3 - Court/Jail-Based Care

Post-booking, these programs divert individuals into community-based services through jail or court processes and programs. The goal of these programs is to ensure treatment for substance use and co-occurring disorders.

## **Examples of court/jail-based programs in Nevada:**

- Jail-based Withdrawal Management
- Opioid Treatment Programs
- Behavioral Health Treatment Programming
- Medication Management
- Specialty Courts (Medication-Assisted Treatment [MAT], Drug, Family Drug, Youth Offender, Veterans)

# Washoe County Detention Center

Under the direction of Sheriff Balaam, the Washoe County Detention Center has developed Nevada's first and only Opioid Treatment Program (OTP). This program offers all three FDA-approved medications for the treatment of Opioid Use Disorder.

## **Participants are offered:**

- Screening for opioid use and risk for withdrawal assessment for opioid use disorder
- MAT initiation for withdrawal symptoms
- Medication as maintenance treatment
- Referrals for continuity of care for maintenance therapy and recovery supports.





# Intercept 4 - Re-entry

Re-entry services involve linkage and referral to community-based services and supports as individuals integrate back into the community. Eligibility determinations and benefit enrollment are considered best practices to ensure individuals have access to insurance, housing, food, and employment opportunities upon re-entry.

## **Examples of Re-entry Programs in Nevada:**

- Medicaid/Temporary Assistance for Needy Families (TANF)/Supplemental Nutrition Assistance Program (SNAP) eligibility and enrollment
- 8th Judicial District Re-entry Court
- Residential Treatment
- Transitional Living Programs

# 8<sup>th</sup> Judicial District Re-Entry Court

In partnership with the Nevada Department of Corrections, the 8<sup>th</sup> Judicial District established a grant-funded re-entry court to reduce the occurrences of overdose and relapse in individuals re-entering the community following release from prison.

Participants are referred to services based on their needs, including:

- MAT
- Treatment services (all levels of care including co-occurring service)\*
- Collaborative case management
- Connect client to temporary/transitional housing and permanent housing\*
- Assistance with securing vital documents
- Assistance to establish positive support system

\*SAPTA-certified programs





# Intercept 5 - Community Corrections

Community correction programs integrate community-based criminal justice supervision through Parole and Probation with additional treatment and recovery services. The goal of these programs is to support re-entry into the community and reduce the risk for recidivism.

# Assembly Bill 236 (2019)

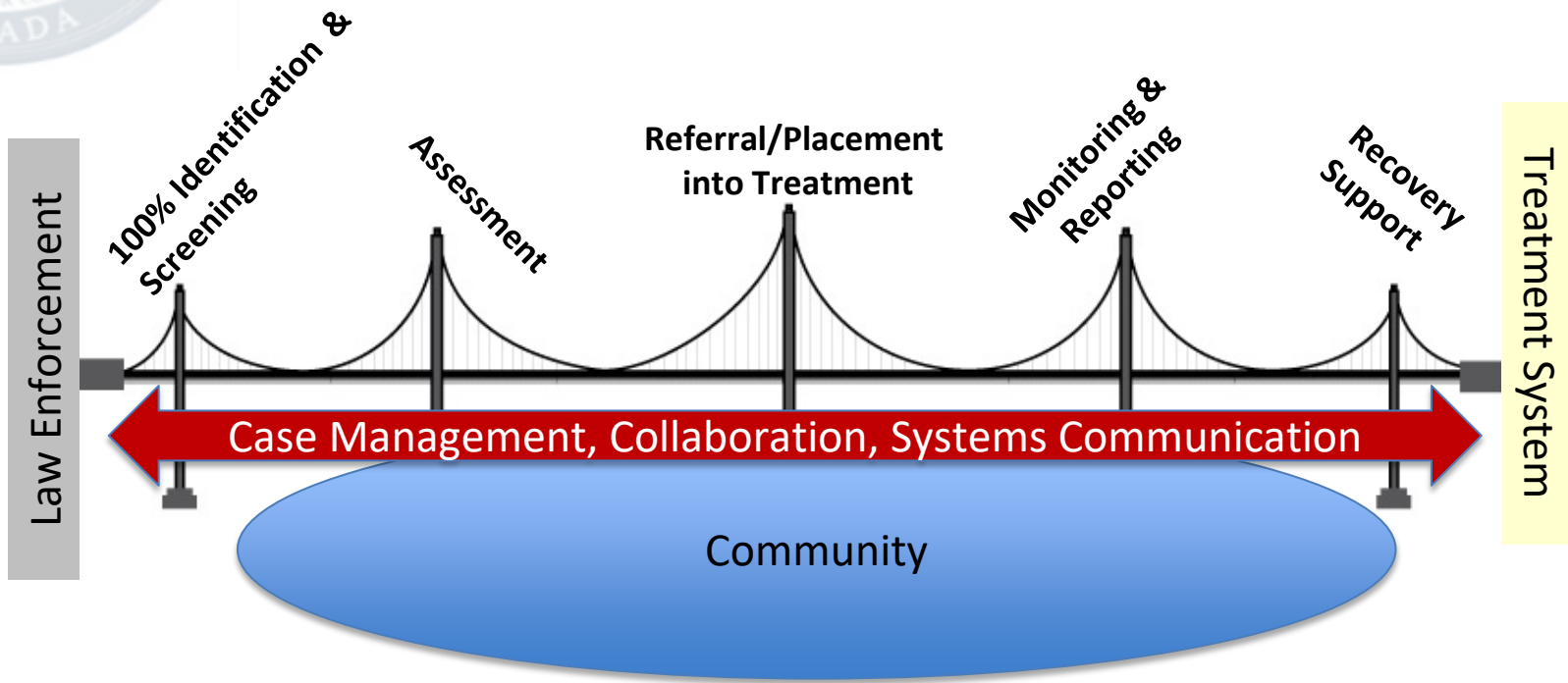
AB 236 established several provisions regarding parole and probation including:

- training requirements on evidence-based practices;
- requirements for the petition for early discharge of a person from parole;
- requirements for re-entry planning and coordination with state agencies; and
- ensuring consuming alcohol/positive drug test cannot be the sole reason for a revocation of supervision.



# The Pathways to Treatment

## The TASC Model



**A Way of Connecting Different Systems**







# Questions?



# Contact Information

Stephanie Woodard, Psy.D.

Senior Advisor on Behavioral Health

[swoodard@health.nv.gov](mailto:swoodard@health.nv.gov)

dhhs.nv.gov





# Acronyms

- Crisis Response Teams (CRT)
- Forensic Assessment Services Triage Teams (FASTT)
- Food and Drug Administration (FDA)
- Law Enforcement Intervention for Mental Health and Addiction (LIMA)
- Medication-Assisted Treatment (MAT)
- Mental Health (MH)
- Mobile Outreach Safety Teams (MOST)
- Nevada Risk Assessment System (NRAS)
- Opioid Treatment Program (OTP)
- Substance Abuse Prevention and Treatment Agency (SAPTA)
- Serious Mental Illness (SMI)
- Supplemental Nutrition Assistance Program (SNAP)
- Temporary Assistance for Needy Families (TANF)
- Thinking Actively in Social Context (TASC)